

Connector with Cable for Electric Vehicle Fast Charger

CCS Type 2 Connector

Small & Tough Connector

From V2X to fast charger Choose your best way

Small size

- **Small** diameter and **light** weight cable
- *For further detailed information, please see **the backside**

Tough design

- **Robust** and **elastic** housing against physical load
- Ability of **50,000** operations cycles **5** times as the requirement of IEC 62196-3

Benefits

- Flexible cable even in extreme cold at **-30°C**
- Up to **200A** by boost in 135A model for 30 min app

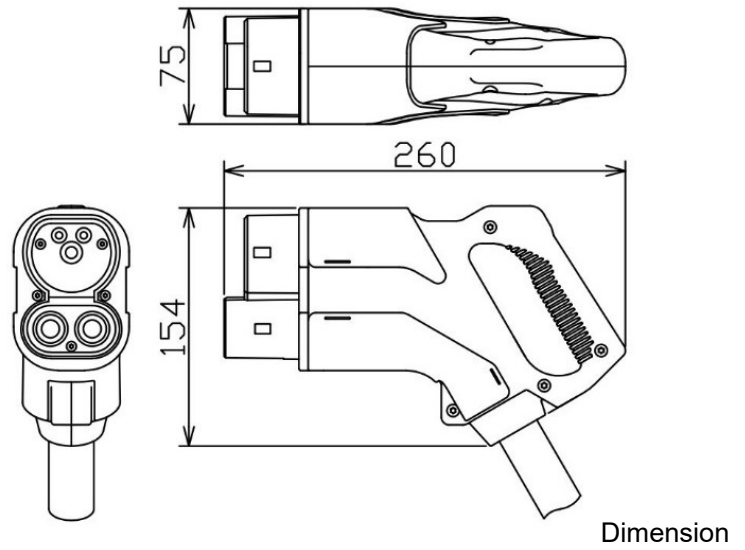


Specifications

Rated voltage[V]	DC 850		DC 1000	
	Max current[A]	125	60	135/200
Insulation resistance[Ω]	100M or more			
Withstand voltage [V]	AC 2700 / 1min		AC 3000 / 1min	
Insertion force[N]	Less than 100			
Temperature rise (at connector)	Housing : Less than 60°C Terminal: Less than 50deg			
Drop impact	No abnormality after free falling from 1m to concrete			

Construction

Cable	Max current [A]	200	60
	Rated voltage [V]	(U ₀ / U) 600 / 1000	
	Outer diameter [mm]	28.5	21.6
	Minimum Bending radius [mm]	171	130
	Weight [app.kg/m]	1.4	0.7
Connector	Dimension [mm]	L 260 × H 154 × W 75	
	Weight [kg]	app.1.1 (without cable)	
	Housing	Thermoplastic	

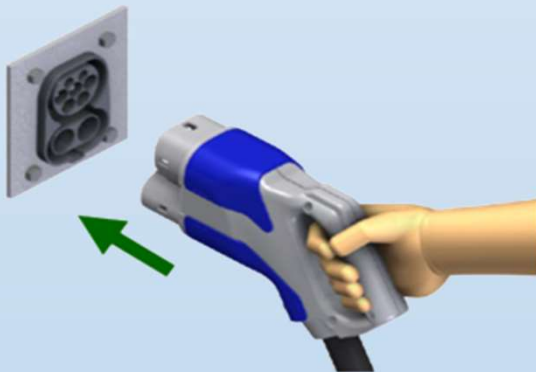


*The above information is based on rated voltage DC 1000V-model. If DC 850V-model is necessary, please contact us.

How to Operate

- Connecting to vehicle inlet

1. Hold the grip firmly.

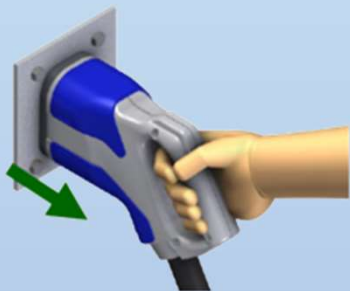


2. Insert the connector straight into the inlet by the vehicle side horizontally.



- Disconnecting from vehicle inlet

1. Hold the grip firmly.



2. Pull the connector straight from the inlet by the vehicle side horizontally.



Japan Energy Components Co., Ltd.

Web site: <https://jecomponents.co.jp/en/contact>

Email: ev@jecomponents.co.jp

